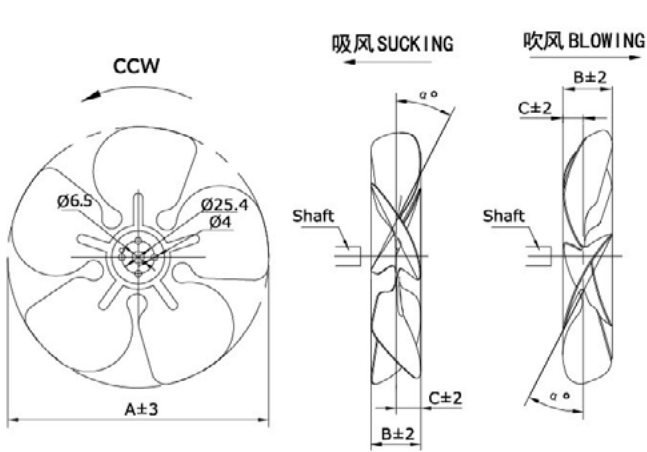


FAN BLADE 叶片 Shaded Pole motors' Accessories

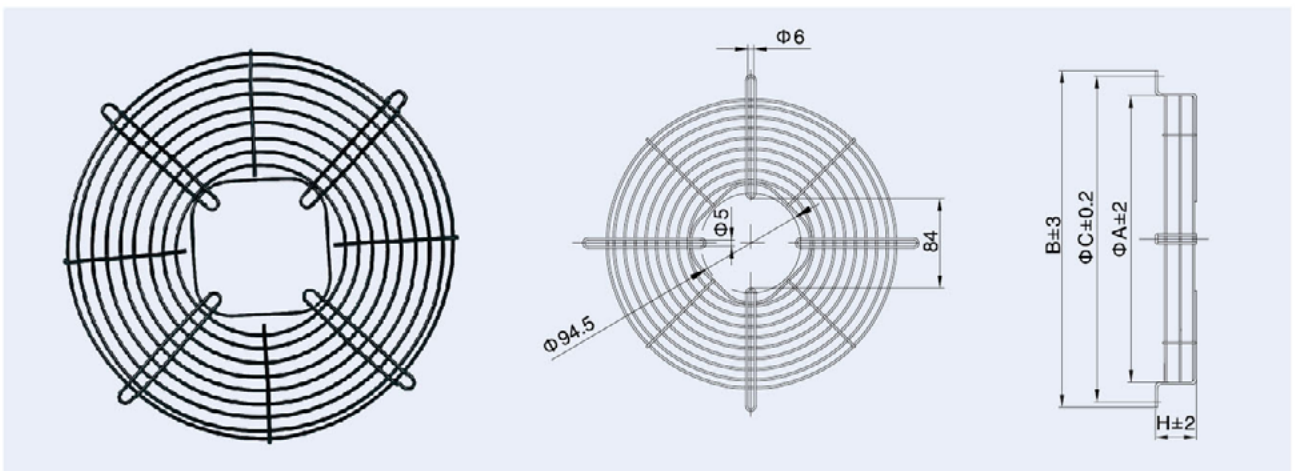


| FAN TYPE | α | | 19° | | 22° | | 25° | | 28° | | 31° | | 34° | |
|----------|-----|-----|-----|----|-----|----|-----|----|-----|----|-----|----|-----|---|
| | A | B/C | B | C | B | C | B | C | B | C | B | C | B | C |
| Φ154 | 154 | 23 | 12 | 26 | 13 | 29 | 15 | 32 | 17 | 36 | 18 | 39 | 21 | |
| Φ172 | 172 | 25 | 13 | 28 | 14 | 31 | 16 | 34 | 17 | 38 | 18 | 41 | 21 | |
| Φ200 | 200 | 27 | 14 | 30 | 15 | 33 | 17 | 36 | 19 | 40 | 20 | 43 | 22 | |
| Φ230 | 230 | 30 | 15 | 33 | 16 | 36 | 19 | 39 | 21 | 42 | 21 | 45 | 23 | |
| Φ250 | 248 | 31 | 15 | 34 | 16 | 37 | 19 | 40 | 20 | 43 | 21 | 45 | 22 | |
| Φ254 | 254 | 32 | 15 | 35 | 16 | 38 | 19 | 41 | 21 | 44 | 22 | 47 | 23 | |
| Φ300 | 300 | 32 | 16 | 35 | 17 | 41 | 21 | 44 | 22 | 48 | 25 | 52 | 27 | |



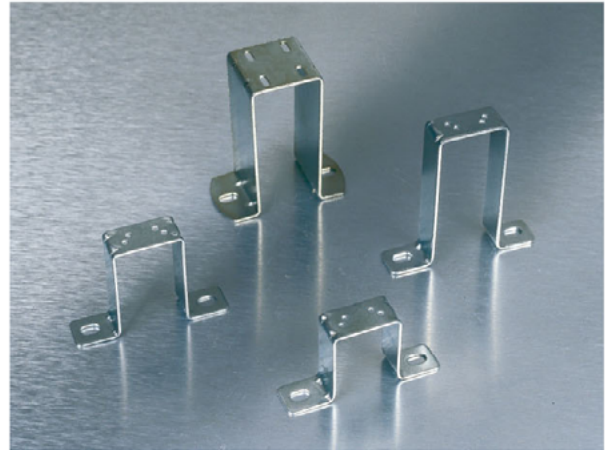
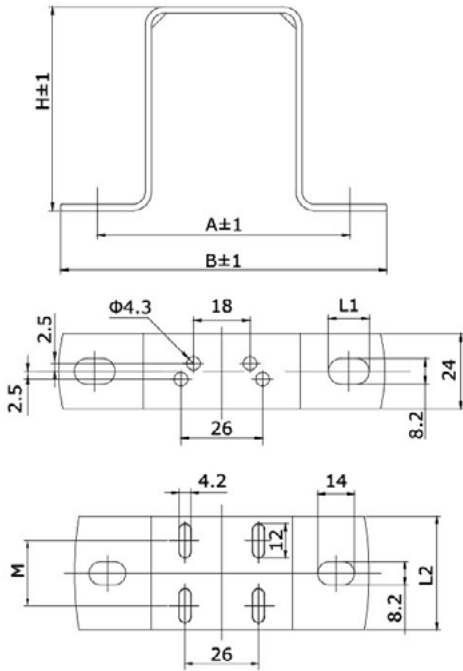
| TYPE | YZF2-13 | | YZF5-13 | | YZF7-20 | | YZF10-20 | | YZF12-20 | | YZF16-25 | | YZF18-30 | | YZF25-40 | | YZF34-45 | |
|------|---------|------|---------|------|---------|------|----------|------|----------|------|----------|------|----------|------|----------|------|----------|------|
| | 50Hz | 60Hz | 50Hz | 60Hz | 50Hz | 60Hz | 50Hz | 60Hz | 50Hz | 60Hz | 50Hz | 60Hz | 50Hz | 60Hz | 50Hz | 60Hz | 50Hz | 60Hz |
| Φ154 | 28 | 28 | | | | | | | | | | | | | | | | |
| Φ172 | 28 | 28 | 31 | 31 | | | | | | | | | | | | | | |
| Φ200 | | | 28 | 28 | 31 | 31 | 31 | 31 | | | | | | | | | | |
| Φ230 | | | | | 28 | 28 | 28 | 28 | 34 | 31 | | | | | | | | |
| Φ250 | | | | | | | 22 | 22 | 28 | 28 | 28 | 28 | | | | | | |
| Φ254 | | | | | | | | | | | 28 | 25 | 31 | 28 | | | | |
| Φ300 | | | | | | | | | | | | | 22 | 22 | 25 | 22 | 28 | 25 |

GRID 网罩 Shaded Pole motors' Accessories



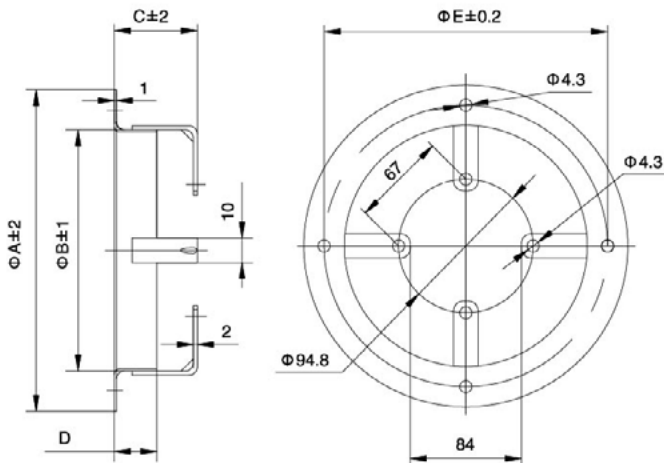
| TYPE | Φ154 | Φ172 | Φ200 | Φ230 | Φ254 | Φ300 |
|------|------|------|------|------|------|------|
| A | 170 | 188 | 214 | 246 | 270 | 324 |
| B | 202 | 220 | 248 | 278 | 302 | 356 |
| C | 190 | 208 | 236 | 266 | 290 | 344 |
| H | 11 | 11 | 25 | 27 | 17 | 17 |

BRACKET 支架



| TYPE | H | A | B | L1 | L2 | M |
|--------|-----|----|-----|----|----|----|
| H39 | 39 | 78 | 100 | 14 | - | - |
| H55 | 55 | 81 | 106 | 13 | - | - |
| H72 | 72 | 81 | 106 | 13 | - | - |
| H84 | 84 | 81 | 106 | 20 | - | - |
| H92 | 92 | 81 | 106 | 14 | - | - |
| H109-1 | 109 | 81 | 106 | 14 | - | - |
| H109-2 | 109 | 78 | 100 | 14 | 39 | 21 |
| H109-3 | 109 | 78 | 100 | 14 | 49 | 29 |

RING 法兰



SUCKING

| TYPE | ΦA | ΦB | C | D | ΦE |
|------------|----------|----------|----|----|----------|
| $\Phi 154$ | 200 | 162 | 49 | 25 | 190 |
| $\Phi 172$ | 223 | 180 | 49 | 25 | 208 |
| $\Phi 200$ | 246 | 208 | 49 | 25 | 236 |
| $\Phi 230$ | 278 | 238 | 49 | 25 | 266 |
| $\Phi 254$ | 300 | 268 | 49 | 25 | 290 |
| $\Phi 300$ | 378 | 308 | 49 | 30 | 365 |